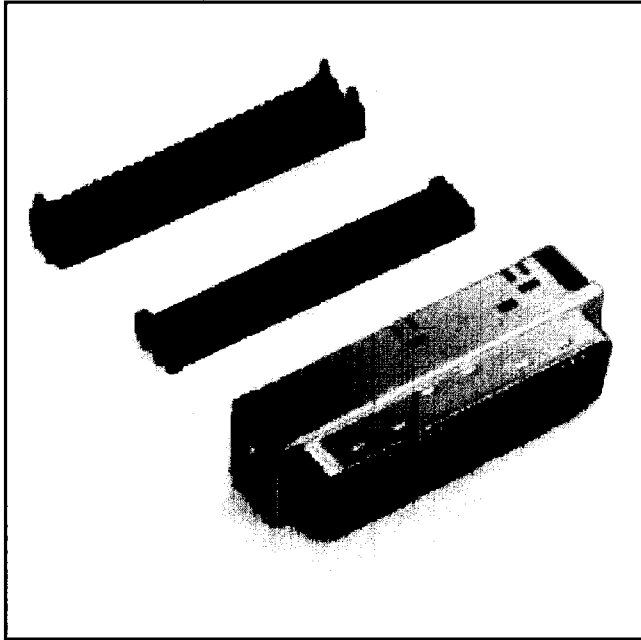


.050" Mini D Ribbon (MDR) Connectors

IDC Wiremount Plug — Shielded

101XX-6000EC Series



121

- IDC wiremount shielded I/O plug connector
- MDR-digital LCD interface — 20 and 26 position
- IEEE 1284 interface — 36 position
- Ribbon type contact — industry preferred
- Reliable repetitive plugging/unplugging
- Accepts a wide variety of cable types including round, twisted pair, twinax, and flat cable
- Available with a variety of shielded junction shells
- Positions 14, 20, 26, 36, 40, 68, 80 and 100

Date Issued: February 19, 1999

TS-0423-07
Sheet 1 of 3

Physical

Insulation

Material: Glass Reinforced Polyester (PBT)
Flammability: UL 94V-0
Color: Black

Contact

Material: Beryllium Copper (C172)
Plating
Underplate: 80 μ " (2.0 μ m) Nickel — QQ-N-290, Class 2
Wiping Area: 30 μ " (0.76 μ m) Min Gold — MIL-G-45204, Type II, Grade C

Shroud

Material: Steel
Plating: Nickel

Wire Accommodation: 28 AWG Stranded, 30 AWG Solid

Marking: 3M Logo & Part Number

Electrical

Current Rating: 1 A

Insulation Resistance: $> 5 \times 10^8 \Omega$ at 500 VDC

Withstanding Voltage: 500 VRMS for 1 Minute

Environmental

Temperature Rating: -20°C to $+85^\circ\text{C}$

UL File No.: E68080

3M Electronic Products Division

6801 River Place Blvd.
Austin, TX 78726-9000

For technical, sales or ordering information call
800-225-5373

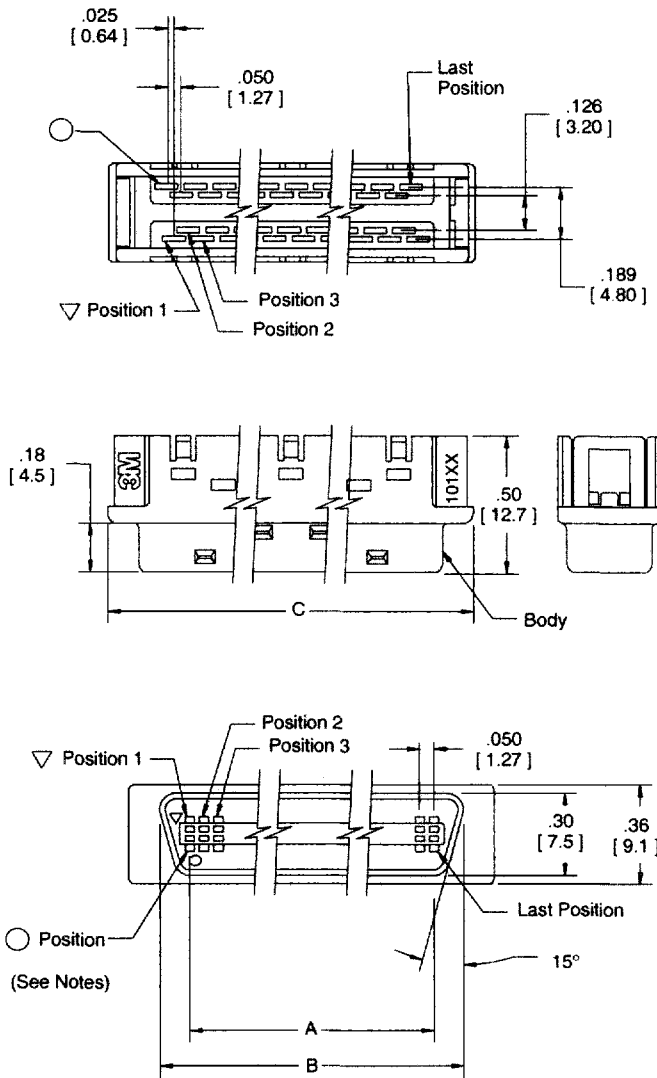
.050" Mini D Ribbon (MDR) Connectors IDC Wiremount Plug — Shielded

101XX-6000EC Series

| Contact Quantity | Dimensions | | | |
|------------------|-----------------|---------------|---------------|---------------|
| | A | B | C | D |
| 14 | .300 [7.62] | .54 [13.8] | .72 [18.2] | .58 [14.7] |
| 26 | .600 [15.24] | .84 [21.4] | 1.02 [25.8] | .88 [22.4] |
| 50 | 1.200 [30.48] | 1.44 [36.6] | 1.62 [41.1] | 1.48 [37.6] |

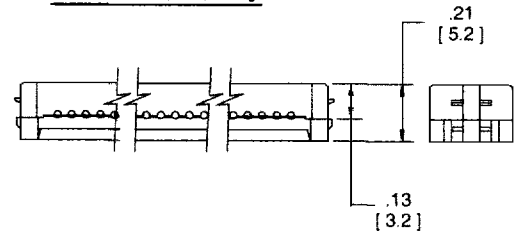


Body (14, 26 and 50 positions)

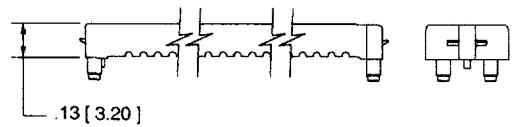
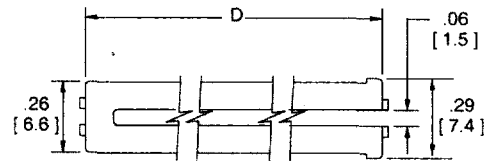


- Notes:
1. Circle (○) position indicates #1 position in cable, when utilizing 0.025" pitch flat cable.
 2. Triangle (▽) position indicates #2 position in cable, when utilizing 0.025" pitch flat cable.

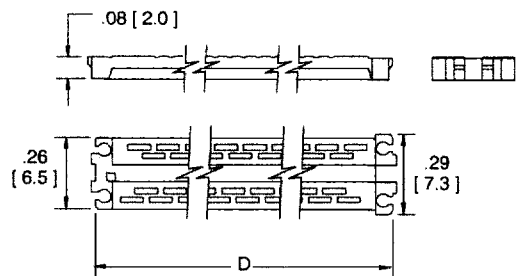
Cover Assembly



Cover 1



Cover 2



| Inch [mm] | | | |
|------------------------|------|-------|--------|
| Tolerance Unless Noted | | | |
| | .0 | .00 | .000 |
| Inch | ± .1 | ± .01 | ± .005 |

[] Dimensions for Reference only

Ordering Information

101XX-6000EC

Contact Quantity
(See Table)

(see page 3 for
other sizes)

TS-0423-07
Sheet 2 of 3

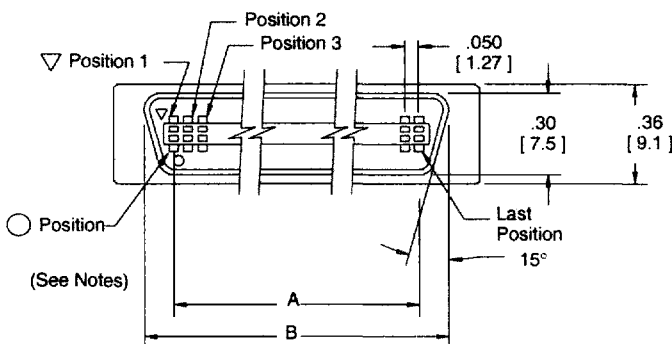
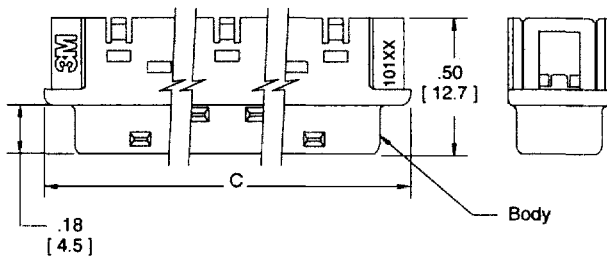
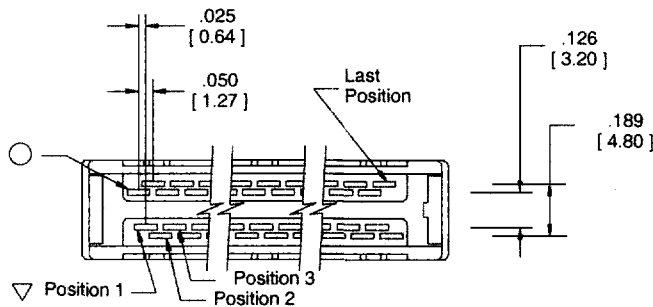
.050" Mini D Ribbon (MDR) Connectors IDC Wiremount Plug — Shielded

101XX-6000EC Series



| Contact Quantity | Dimensions | | | |
|------------------|-----------------|---------------|---------------|---------------|
| | A | B | C | D |
| 20 | .450 [11.43] | .69 [17.6] | .87 [22.0] | .73 [18.6] |
| 36 | .850 [21.59] | 1.09 [27.8] | 1.27 [32.2] | 1.13 [28.7] |
| 40 | .950 [24.13] | 1.19 [30.3] | 1.37 [34.7] | 1.23 [31.3] |
| 68 | 1.650 [41.91] | 1.89 [48.1] | 2.07 [52.5] | 1.93 [49.0] |
| 80 | 1.950 [49.53] | 2.19 [54.8] | 2.37 [60.1] | 2.23 [56.7] |
| 100 | 2.450 [62.23] | 2.69 [67.5] | 2.87 [72.8] | 2.73 [69.4] |

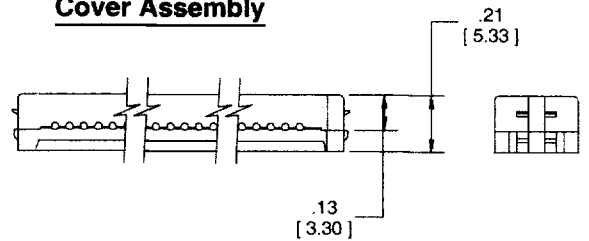
Body (20, 36, 40, 68, 80 and 100 positions)



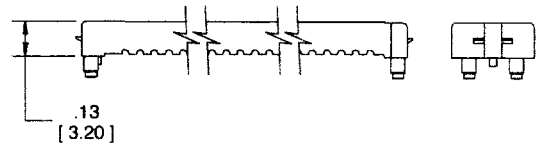
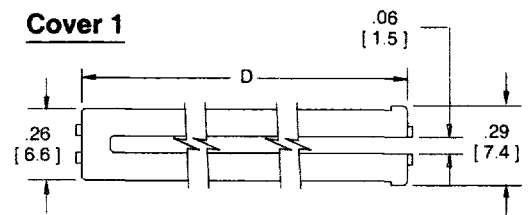
Notes:

1. Circle (○) position indicates #1 position in cable, when utilizing 0.025" pitch flat cable.
2. Triangle (▽) position indicates #2 position in cable, when utilizing 0.025" pitch flat cable.

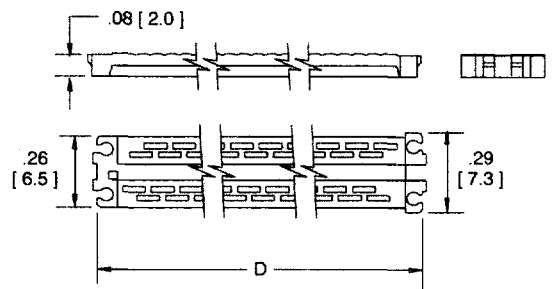
Cover Assembly



Cover 1



Cover 2



Inch
[mm]

| Tolerance Unless Noted | | | |
|------------------------|-----|------|-------|
| | .0 | .00 | .000 |
| Inch | ±.1 | ±.01 | ±.005 |

[] Dimensions for Reference only

Ordering Information

101XX-6000EC

Contact Quantity
(See Table)

Note: 100 pos = A0

TS-0423-07
Sheet 3 of 3